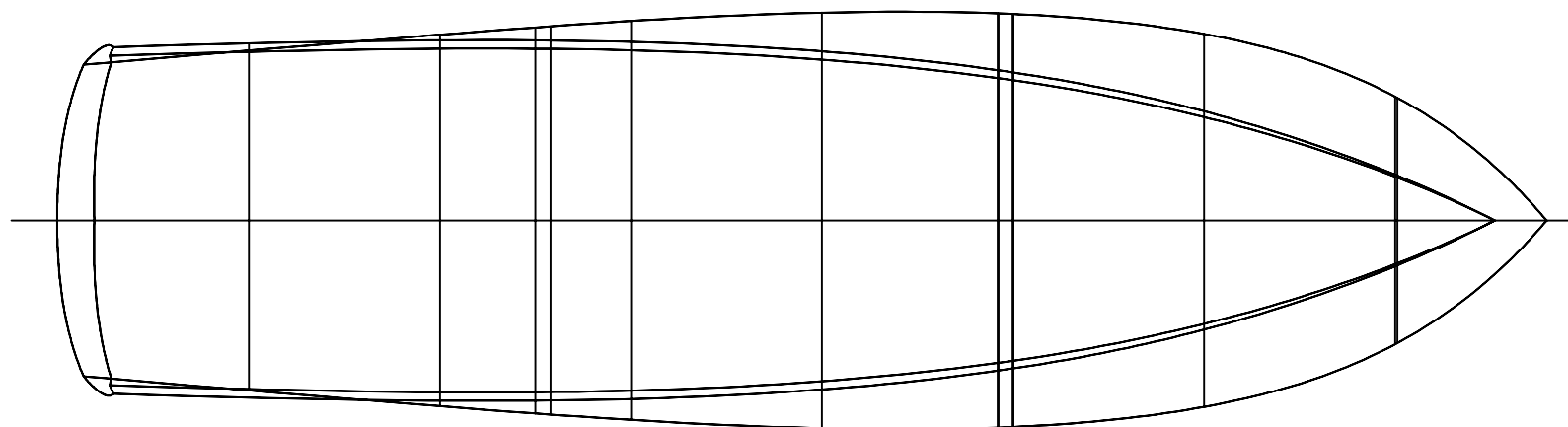
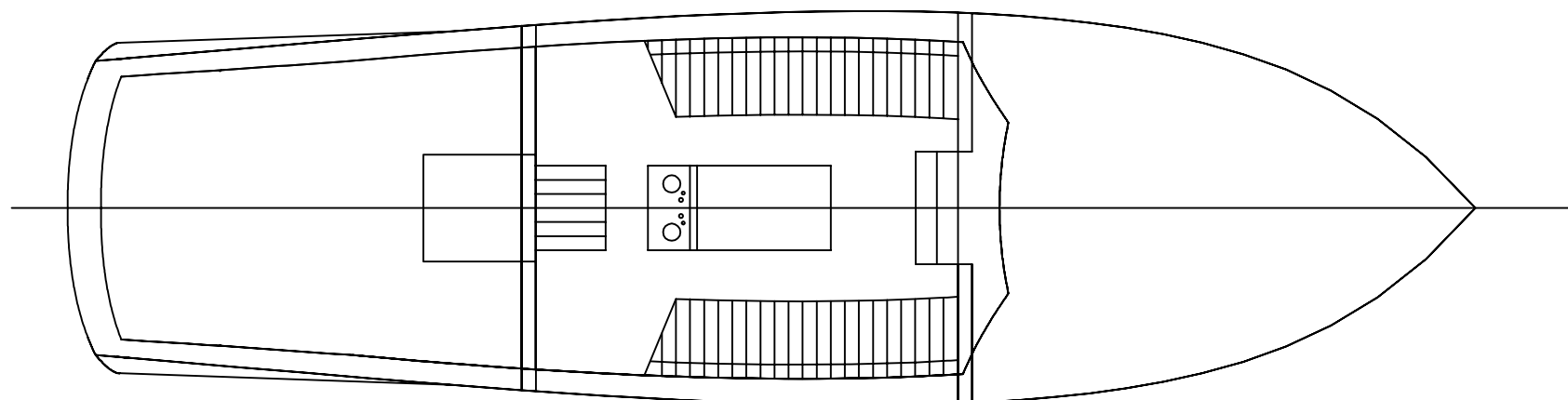
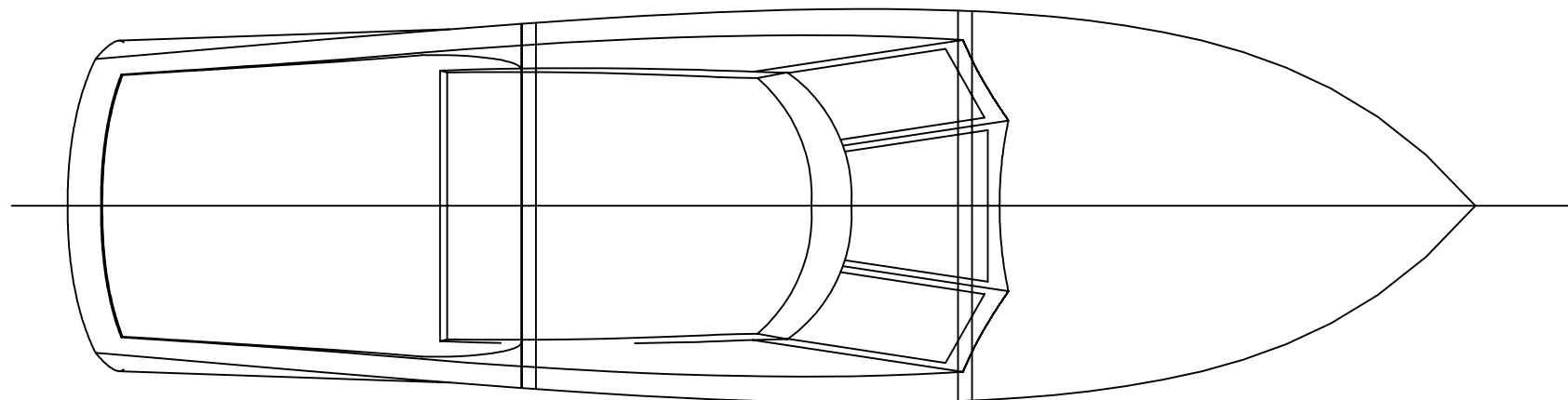
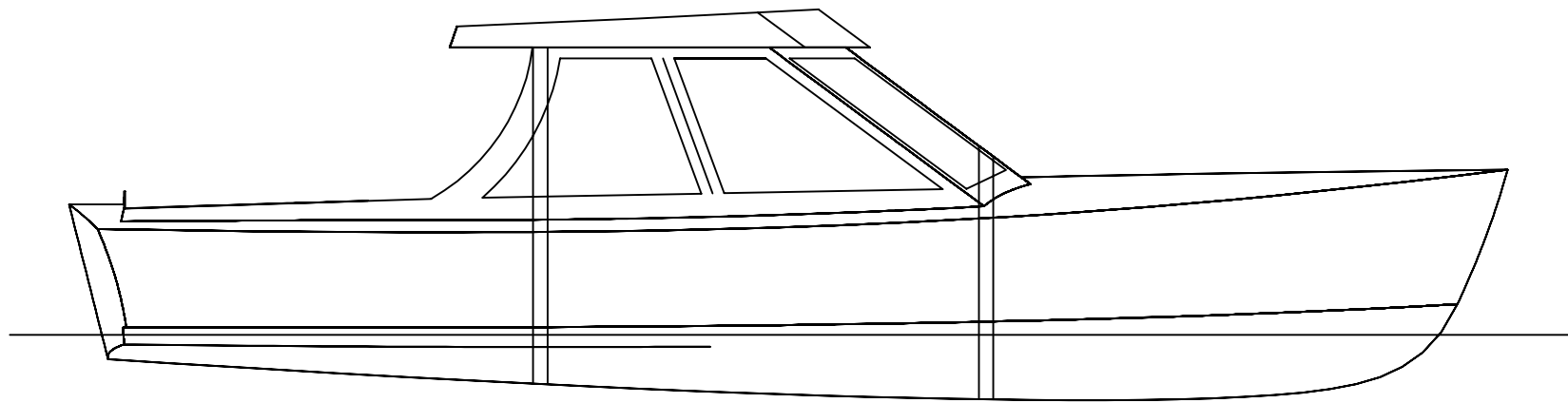


| REV# | DESCRIPTION | NAME | DATE |
|------|-------------|------|------|
| A | | | |
| B | | | |
| C | | | |



| | | | |
|-----------|------------------------|---|-----------------|
| PROJECT | Coastal Cruiser | | |
| DWG TITLE | GA | | |
| DRAWN BY | T.S.W | DATE | 5.3.07 |
| CHKD BY | | DATE | 00.00.00 |
| APPVD BY | | DATE | 00.00.00 |
| DWG No. | SHEET | 1 OF 1 | |
| | | SCALE | 1:100 |
| | | FORMAT | A3 |
| | | © THIS DRAWING IS SUBJECT TO INTERNATIONAL COPYRIGHT LAWS | |
| | | REVISION | |
| | | A | B C D E F G H I |